



FS163

SOFT SERVE MACHINE WITH SHAKE ATTACHMENT

The Aurel FS163 sets the pace of soft serve industry through cutting-edge proprietary technology. Expertly engineered, the FS163 is manufactured to the highest exacting standards resulting in a simple elegance and slim design that puts this machine at the epicenter of soft serve innovation.

FEATURES

- The FS163 employs the industry's first LCD touch screen display giving operators full operational and diagnostic control without requiring technical assistance
- World's only fully bonded evaporator system provides superior product freezing performance, and improves start-up, recovery and draw-time
- Industry's first soft serve machine that utilizes scroll compressor technology with up to 4x the lifespan of industry standard reciprocating compressors
- Best-in-class production output with the lowest rated energy consumption
- Four zone temperature control allows operators to adjust independent temperature points for each hopper and freezing cylinder, delivering perfect consistency regardless of soft serve or yogurt product type
- Optimal-sized hoppers and expanded freezing cylinders minimize product waste while allowing locations to handle peak-hour rushes
- 360 degree serviceability and leak-free access valves allow for easy and quick servicing
- Simplified design reduces the machine's footprint, decreases maintenance costs, and cuts down on the steps required to clean and assemble the machine
- Designed, engineered and manufactured in USA



Made in U.S.A



USER
FRIENDLY



ADA Compliant

CONFORMS TO
UL 621
ANSI / NSF-6
CERTIFIED TO CSA
STD.C22.2 NO.120

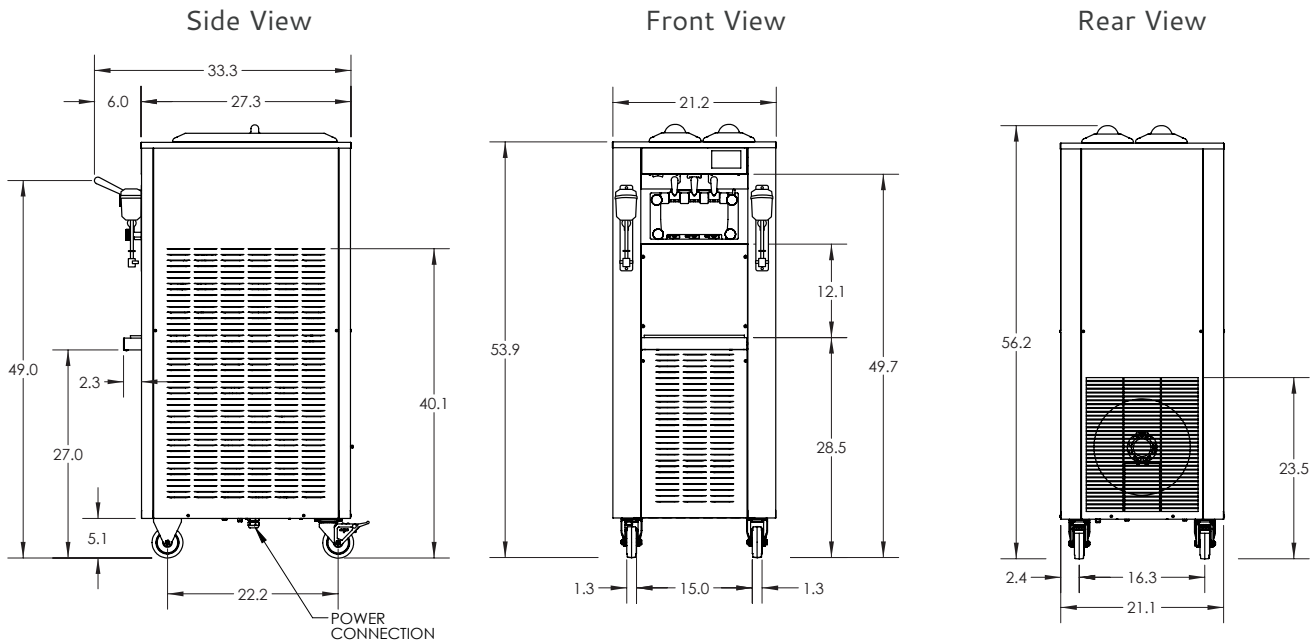


AUREL



Address: 11339 Butternut Rd. Chardon, OH 44024 Web: www.aurellc.com

Phone: 888-833-3338 Technical Support: customerservice@aurellc.com Sales: sales@aurellc.com



MEASUREMENTS IN INCHES

SPECIFICATIONS

Capacity	Qt.	L	Weights	lbs	kgs
Freezing Cylinder	2 x 4.0	2 x 3.79	Net	400	181
Refrigerated Hopper	2 x 11	2 x 10.41	Gross	450	204

Refrigeration

R404A	40oz	1134g
Condenser Type	Air-Cooled	

Air Cooled

A minimum clearance of 6 inches is required on the right and left sides of the machine and 12 inches of clearance is required for the rear face of the machine. A minimum clearance is not required for the front face of the machine.

Electrical

One dedicated 30A electrical circuit per unit is required with NEMA L6-30P receptacle.

Voltage	208 - 230 v
Rated Input Power	2.76 kW
Hertz	60 Hz
Phase	Single
Breaker Size	30A, Double Pole
Drive Motor	(2)- 1 Hp(750 W)
Plug type	NEMA L6-30P 10' cord and plug (attached)

Continuous product development may necessitate specification and/or design changes.

AUREL

Address: 11339 Butternut Rd. Chardon, OH 44024

Web: www.aurellc.com

Phone: 888-833-3338 Technical Support: customerservice@aurellc.com Sales: sales@aurellc.com

