

CP102

SOFT SERVE MACHINE



The Aurel CP102 sets the pace of soft serve industry through cutting-edge proprietary technology. Expertly engineered, the CP102 is manufactured to the highest exacting standards resulting in a simple elegance and slim design that puts this machine at the epicenter of soft serve innovation.

FEATURES

- The CP102 employs the industry's first LCD touch screen display giving operators full operational and diagnostic control without requiring technical assistance
- World's only fully bonded evaporator system provides superior product freezing performance, and improves start-up, recovery and draw-time
- Industry's first soft serve machine that utilizes scroll compressor technology with up to 4x the lifespan of industry standard reciprocating compressors
- Best-in-class production output with the lowest rated energy consumption
- Two zone temperature control allows operators to adjust independent temperature points for the hopper and freezing cylinder, delivering perfect consistency regardless of soft serve or yogurt product type
- Optimal-sized hopper and expanded freezing cylinder minimize product waste while allowing locations to handle peak-hour rushes
- 360 degree serviceability and leak-free access valves allow for easy and quick servicing
- Simplified design reduces the machine's footprint, decreases maintenance costs, and cuts down on the steps required to clean and assemble the machine
- Designed, engineered and manufactured in USA



Made in U.S.A



ADA Compliant

CONFORMS TO
UL 621
ANSI / NSF-6
CERTIFIED TO CSA
STD.C22.2 NO.120



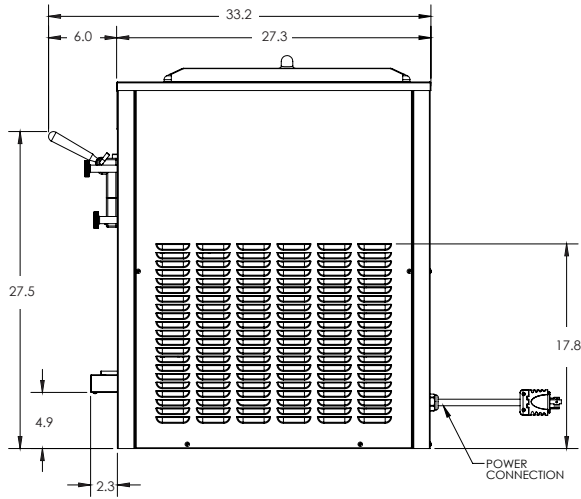
AUREL



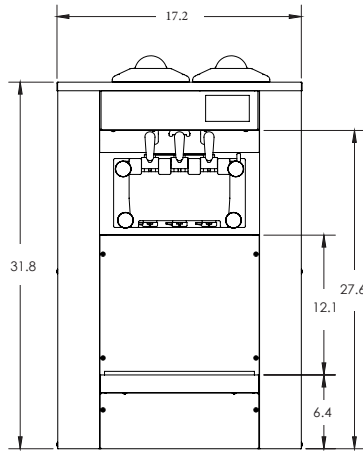
Address: 11339 Butternut Rd. Chardon, Oh 44024 Web: www.aurellc.com

Phone: 888-833-3338 Technical Support: customerservice@arellc.com Sales: sales@arellc.com

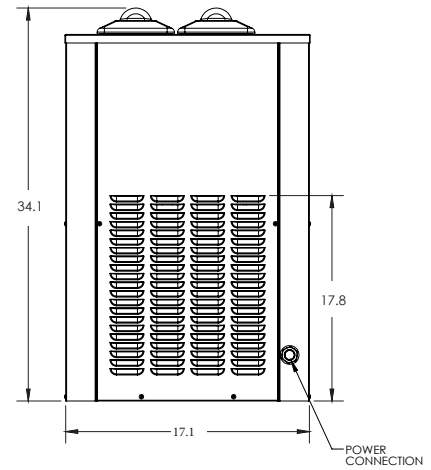
Side View



Front View



Rear View



MEASUREMENTS IN INCHES

SPECIFICATIONS

| Capacity | Qt. | L |
|---------------------|----------|----------|
| Freezing Cylinder | 1 x 4.0 | 1 x 3.79 |
| Refrigerated Hopper | 1 x 13.6 | 1 x 12.8 |

| Weights | lbs | kgs |
|---------|-----|-----|
| Net | 300 | 136 |
| Gross | 350 | 158 |

Refrigeration

| | | |
|----------------|------------|------|
| R404A | 28oz | 794g |
| Condenser Type | Air-Cooled | |

Electrical

One dedicated 30A electrical circuit per unit is required with NEMA L6-30P receptacle.

| | |
|-------------------|---|
| Voltage | 208 - 230 v |
| Rated Input Power | 2.76 kW |
| Hertz | 60 Hz |
| Phase | Single |
| Breaker Size | 30A, Double Pole |
| Drive Motor | (1)- 1 Hp(750 W) |
| Plug type | NEMA L6-30P 10' cord and plug (attached) |

Air Cooled

A minimum clearance of 6 inches is required on the right and left sides of the machine and 12 inches of clearance is required for the rear face of the machine. A minimum clearance is not required for the front face of the machine.

Continuous product development may necessitate specification and/or design changes.

AUREL



Address: 11339 Butternut Rd. Chardon, Oh 44024 Web: www.aurelllc.com

Phone: 888-833-3338 Technical Support: customerservice@arelllc.com Sales: sales@arelllc.com