

# CS162

## SOFT SERVE MACHINE



The Aurel CS162 sets the pace of soft serve industry through cutting-edge proprietary technology. Expertly engineered, the CS162 is manufactured to the highest exacting standards resulting in a simple elegance and slim design that puts this machine at the epicenter of soft serve innovation.

## FEATURES

- The CS162 employs the industry's first LCD touch screen display giving operators full operational and diagnostic control without requiring technical assistance
- World's only fully bonded evaporator system provides superior product freezing performance, and improves start-up, recovery and draw-time
- Industry's first soft serve machine that utilizes scroll compressor technology with up to 4x the lifespan of industry standard reciprocating compressors
- Best-in-class production output with the lowest rated energy consumption
- Four zone temperature control allows operators to adjust independent temperature points for each hopper and freezing cylinder, delivering perfect consistency regardless of soft serve or yogurt product type
- Optimal-sized hoppers and expanded freezing cylinders minimize product waste while allowing locations to handle peak-hour rushes
- 360 degree serviceability and leak-free access valves allow for easy and quick servicing
- Simplified design reduces the machine's footprint, decreases maintenance costs, and cuts down on the steps required to clean and assemble the machine
- Designed, engineered and manufactured in USA



Made in U.S.A



ADA Compliant

CONFORMS TO  
UL 621  
ANSI / NSF-6  
CERTIFIED TO CSA  
STD.C22.2 NO.120



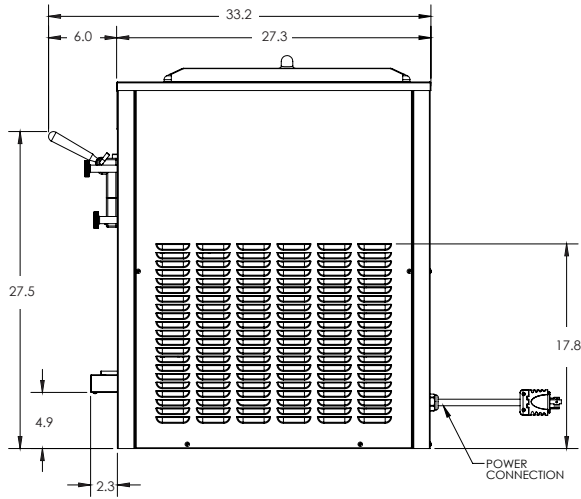
# AUREL



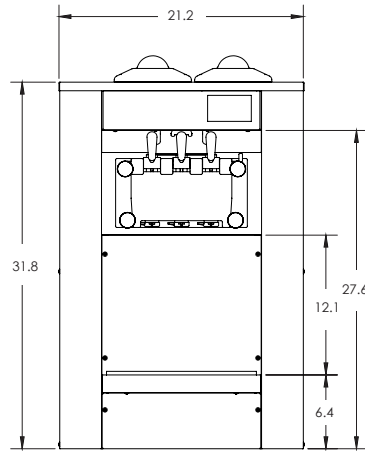
Address: 11339 Butternut Rd. Chardon, Oh 44024 Web: [www.aurellc.com](http://www.aurellc.com)

Phone: 888-833-3338 Technical Support: [customerservice@aurellc.com](mailto:customerservice@aurellc.com) Sales: [sales@aurellc.com](mailto:sales@aurellc.com)

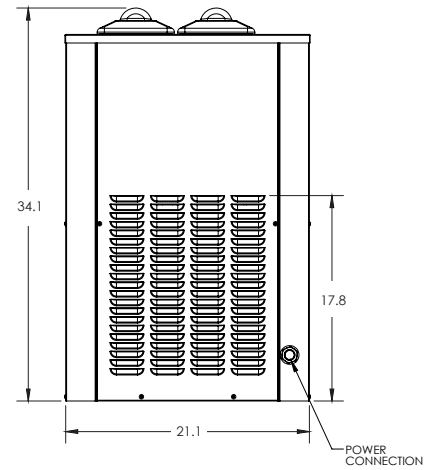
Side View



Front View



Rear View



MEASUREMENTS IN INCHES

## SPECIFICATIONS

Capacity	Qt.	L
Freezing Cylinder	2 x 4.0	2 x 3.79
Refrigerated Hopper	2 x 11	2 x 10.41

Weights	lbs	kgs
Net	400	181
Gross	450	204

### Refrigeration

R404A	40oz	1134g
Condenser Type	Air-Cooled	

### Electrical

One dedicated 30A electrical circuit per unit is required with NEMA L6-30P receptacle.

Voltage	208 - 230 v
Rated Input Power	2.76 kW
Hertz	60 Hz
Phase	Single
Breaker Size	30A, Double Pole
Drive Motor	(2)- 1 Hp(750 W)
Plug type	NEMA L6-30P 10' cord and plug (attached)

### Air Cooled

A minimum clearance of 6 inches is required on the right and left sides of the machine and 12 inches of clearance is required for the rear face of the machine. A minimum clearance is not required for the front face of the machine.

Continuous product development may necessitate specification and/or design changes.

# AUREL



Address: 11339 Butternut Rd. Chardon, Oh 44024 Web: [www.aurellc.com](http://www.aurellc.com)

Phone: 888-833-3338 Technical Support: [customerservice@aurellc.com](mailto:customerservice@aurellc.com) Sales: [sales@aurellc.com](mailto:sales@aurellc.com)